

### Model Number

CJ10-30GK-WS

### Features

- 10 mm non-flush
- The switching distance can be set over a wide range with the potentiometer

### Accessories

BF 30

Mounting flange, 30 mm

## Technical Data

### General specifications

|                            |       |              |    |
|----------------------------|-------|--------------|----|
| Switching element function |       | AC           | NO |
| Rated operating distance   | $s_n$ | 10 mm        |    |
| Installation               |       | non-flush    |    |
| Output polarity            |       | AC           |    |
| Assured operating distance | $s_a$ | 0 ... 7.2 mm |    |

### Nominal ratings

|                                      |           |                               |  |
|--------------------------------------|-----------|-------------------------------|--|
| Installation conditions              |           |                               |  |
| A                                    |           | 18 mm                         |  |
| B                                    |           | 10 mm                         |  |
| C                                    |           | 20 mm                         |  |
| F                                    |           | 60 mm                         |  |
| Operating voltage                    | $U_B$     | 20 ... 253 V AC <sup>1)</sup> |  |
| Switching frequency                  | f         | 0 ... 10 Hz                   |  |
| Hysteresis                           | H         | 2 ... 10 typ. 5 %             |  |
| Reverse polarity protection          |           | reverse polarity tolerant     |  |
| Momentary current<br>(20 ms, 0.1 Hz) |           | 0 ... 1200 mA                 |  |
| Rated insulation voltage             | $U_{BIS}$ | 1500 V                        |  |
| Operating current                    | $I_L$     | 5 ... 200 mA                  |  |
| Lowest operating current             | $I_m$     | 5 mA                          |  |
| Off-state current                    | $I_r$     | 0.7 ... 1.5 mA typ.           |  |
| Time delay before availability       | $t_v$     | ≤ 300 ms                      |  |
| Switching state indicator            |           | LED, yellow                   |  |

### Indicators/operating means

|               |                        |
|---------------|------------------------|
| Potentiometer | sensitivity adjustment |
|---------------|------------------------|

### Ambient conditions

|                     |                                |
|---------------------|--------------------------------|
| Ambient temperature | -25 ... 70 °C (-13 ... 158 °F) |
| Storage temperature | -25 ... 85 °C (-13 ... 185 °F) |

### Mechanical specifications

|                      |  |
|----------------------|--|
| Connection type      | cable PVC, 2 m   |
| Core cross-section   | 0.75 mm <sup>2</sup>   |
| Housing material     | PBT  |
| Sensing face         | PBT  |
| Degree of protection | IP67   |
| Note                 | <sup>1)</sup> In the temperature range below 0 °C, permissible operating voltage $U_b$ 80...253 V<br>Safety fuse ≤ 0.8 A (quick-blow) according to IEC 60127-2 Sheet 1<br>Recommendation: after a short circuit, check that the device is functioning correctly. |

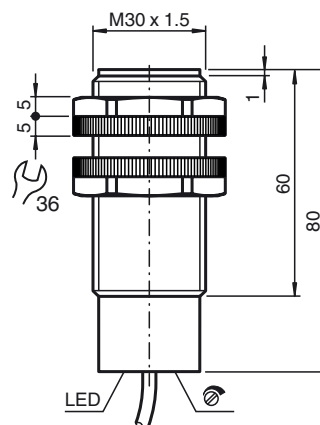
### Compliance with standards and directives

|                     |   |
|---------------------|---|
| Standard conformity |   |
| Standards           | EN 60947-5-2:2007<br>IEC 60947-5-2:2007 |

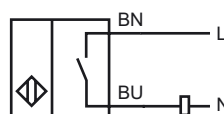
### Approvals and certificates

|              |   |
|--------------|---|
| UL approval  | cULus Listed, General Purpose                     |
| CSA approval | cCSAus Listed, General Purpose                    |
| CCC approval | Certified by China Compulsory Certification (CCC) |

## Dimensions



## Electrical Connection



Installation Conditions

